

**Please send the fax to: +49 621 - 55 26 13**

Häberle & Co. GmbH, Ignaz-Büttner-Str. 85, 67067 Ludwigshafen/Germany.

**First Name, Last Name:** \_\_\_\_\_

**Company:** \_\_\_\_\_

**Country:** \_\_\_\_\_

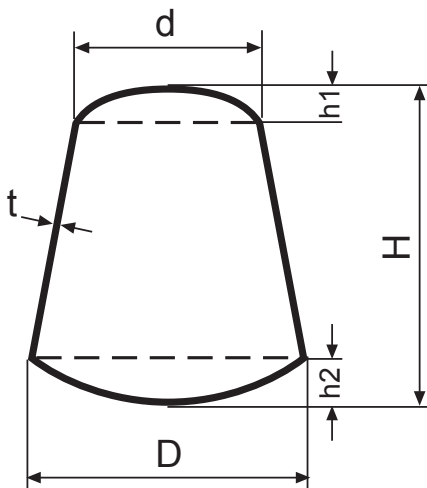
**Address:** \_\_\_\_\_

**Fon:** \_\_\_\_\_

**Fax:** \_\_\_\_\_

**E-Mail:** \_\_\_\_\_

**Cone Float Type 7**



<b>Diameter (D):</b>	From 60mm - 1.000mm
<b>Diameter (d):</b>	Up to 400mm
<b>Height (H):</b>	h1 + h2 and custom
<b>Thickness (t):</b>	0,2mm - 4mm
<b>Metal:</b>	Custom
<b>Mounting*:</b>	Custom or magnet

**\* Magnets must supplied by customers.**

**Please fill out the form on the right with your technical data.**

Do you have further informations for us?

**Diameter (D):** \_\_\_\_\_

**Diameter (d):** \_\_\_\_\_

**Height (H):** \_\_\_\_\_

**Thickness (t):** \_\_\_\_\_

**Metal:** \_\_\_\_\_

**Mounting\*:** \_\_\_\_\_

**Pieces:** \_\_\_\_\_