

Please send the fax to: +49 621 - 55 26 13

Häberle & Co. GmbH, Ignaz-Büttner-Str. 85, 67067 Ludwigshafen/Germany.

First Name, Last Name: _____

Company: _____

Country: _____

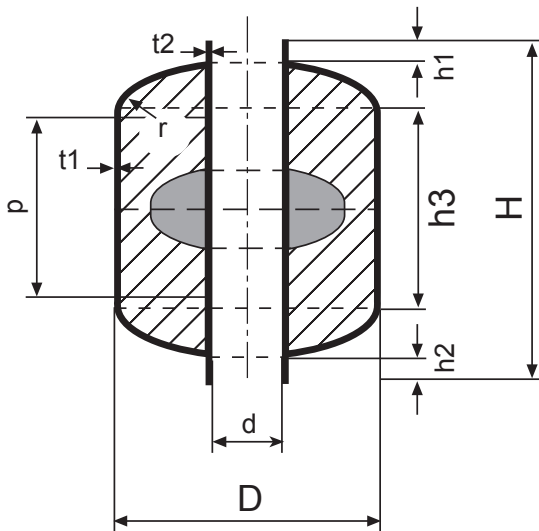
Address: _____

Fon: _____

Fax: _____

E-Mail: _____

Magnetic Cylinder Float with radius: Type 22



Diameter (D):	From 40mm - 1.200mm
Height (H):	$h1 + h2 + D$
Inside diameter (d):	Max. $2/3 D$
Height pipe (h1):	Up to 200mm
Height pipe (h2):	Up to 200mm
Radius/curved (r):	Custom
Materialstärke (t1):	0,2mm - 4mm
Materialstärke (t2):	0,2mm - 4mm
Magnetposition (p):	Custom
Metal:	Custom
Magnet:	Supplied by customer
Guiding:	Pipe

Please fill out the form on the right with your technical data.

Do you have further informations for us?

Diameter (D): _____

Height (H): _____

Inside diameter (d): _____

Height pipe (h1): _____

Height pipe (h2): _____

Radius/curved (r): _____

Materialstärke (t1): _____

Materialstärke (t2): _____

Magnetposition (p): _____

Metal: _____

Magnet: _____

Guiding: _____

Pieces: _____