

Please send the fax to: +49 621 - 55 26 13

Häberle & Co. GmbH, Ignaz-Büttner-Str. 85, 67067 Ludwigshafen/Germany.

First Name, Last Name: _____

Company: _____

Country: _____

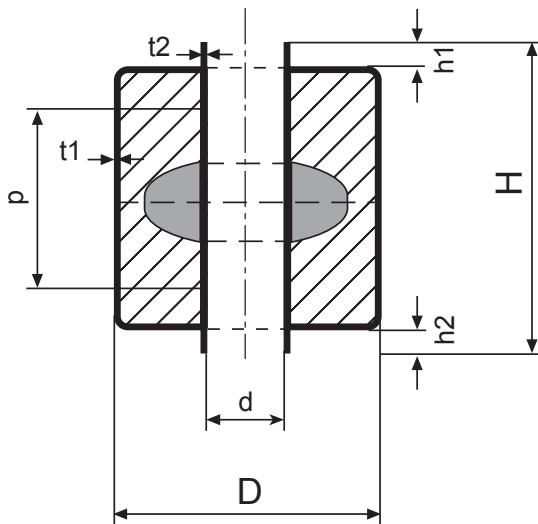
Address: _____

Fon: _____

Fax: _____

E-Mail: _____

Magnetic Cylinder Float: Type 21



Diameter (D):	From 40mm - 1.200mm
Height (H):	h1 + h2 + custom
Inside diameter (d):	Max. 2/3 D
Height pipe (h1):	Up to 200mm
Height pipe (h2):	Up to 200mm
Thickness (t1):	0,2mm - 4mm
Thickness (t2):	0,2mm - 4mm
Magnetposition (p):	Custom
Metal:	Custom
Magnet:	Supplied by customer
Guiding:	Pipe

Please fill out the form on the right with your technical data.

Do you have further informations for us?

- Diameter (D):** _____
- Height (H):** _____
- Inside diameter (d):** _____
- Height pipe (h1):** _____
- Height pipe (h2):** _____
- Thickness (t1):** _____
- Thickness (t2):** _____
- Magnetposition (p):** _____
- Metal:** _____
- Magnet:** _____
- Guiding:** _____
- Pieces:** _____