

**Please send the fax to: +49 621 - 55 26 13**

Häberle & Co. GmbH, Ignaz-Büttner-Str. 85, 67067 Ludwigshafen/Germany.

**First Name, Last Name:** \_\_\_\_\_

**Company:** \_\_\_\_\_

**Country:** \_\_\_\_\_

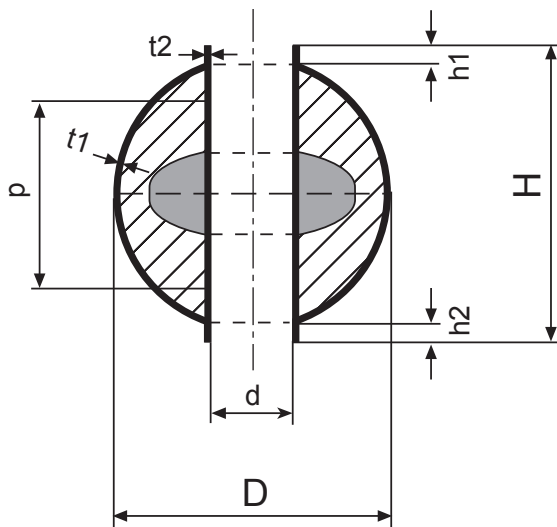
**Address:** \_\_\_\_\_

**Fon:** \_\_\_\_\_

**Fax:** \_\_\_\_\_

**E-Mail:** \_\_\_\_\_

**Magnetic Float Ball: Type 20**



<b>Diameter (D):</b>	from 40mm - 1.200mm
<b>Height (H):</b>	$h1 + h2 + D$
<b>Inside diameter (d):</b>	Max. $2/3 D$
<b>Height pipe (h1):</b>	Up to 200mm
<b>Height pipe (h2):</b>	Up to 200mm
<b>Thickness (t1):</b>	0,2mm - 4mm
<b>Thickness (t2):</b>	0,2mm - 4mm
<b>Magnetposition (p):</b>	Custom
<b>Metal:</b>	Custom
<b>Magnet:</b>	Supplied by customer
<b>Guiding:</b>	Pipe

**Please fill out the form on the right with your technical data.**

Do you have further informations for us?

**Diameter (D):** \_\_\_\_\_

**Height (H):** \_\_\_\_\_

**Inside diameter (d):** \_\_\_\_\_

**Height pipe (h1):** \_\_\_\_\_

**Height pipe (h2):** \_\_\_\_\_

**Thickness (t1):** \_\_\_\_\_

**Thickness (t2):** \_\_\_\_\_

**Magnetposition (p):** \_\_\_\_\_

**Metal:** \_\_\_\_\_

**Magnet:** \_\_\_\_\_

**Guiding:** \_\_\_\_\_

**Pieces:** \_\_\_\_\_